

BLOOMINGTON STANDARD POLE DESIGN 2 (BREAKAWAY)

POLES SHALL BE 8-SIDED WITH 6' (BENT STRAW) ARM.

POLE MATERIAL SHALL BE HIGH STRENGTH, LOW CARBON ALLOY STEEL 50,000 PSI MIN YIELD PER ASTM A572 OR A607 (A588 IR A606 IF SELF-WEATHERING). ULTIMATE TENSILE STRENGTH OF 100,000 PSI AFTER FORMING AND ELECTRONICALLY-CONTROLLED LONGITUDINAL WELDING.

BASE PLATE MATERIAL SHALL BE 36,000 PSI MIN YIELD PER ASTM A36 (A588 IF SELF-WEATHERING).

A 2" x 7-1/2" SLIPFITTER SHALL SECURE THE LUMINAIRE.

LUMINAIRE

FLAT GLASS LENS:
AMERICAN ELECTRIC CATALOG # 153-25-S-CA-MT1-R3-FG
OR APPROVED EQUAL.

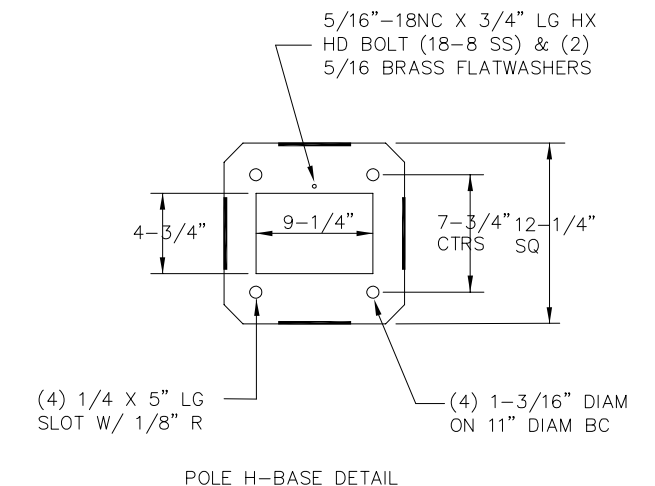
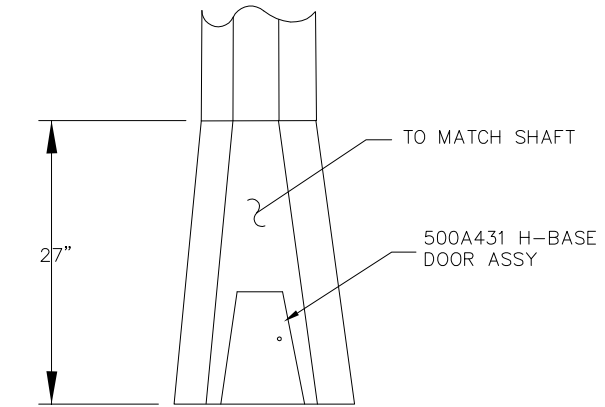
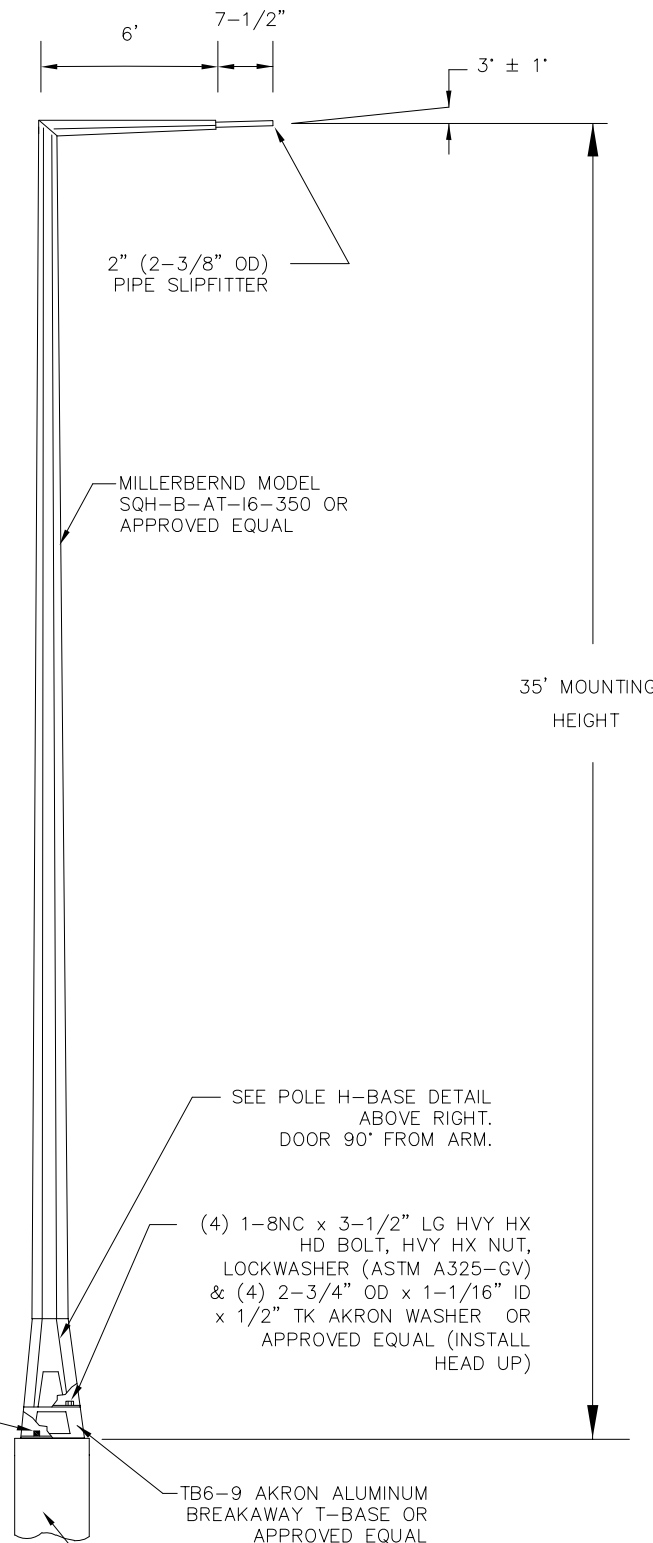
MULTI-TAP VOLTAGE TRANSFORMER
250 WATT HPS CUTOFF, 120 VOLT.
PHOTOCELL CONTROL LOCATED IN SERVICE CABINET.

SERVICE CABINET

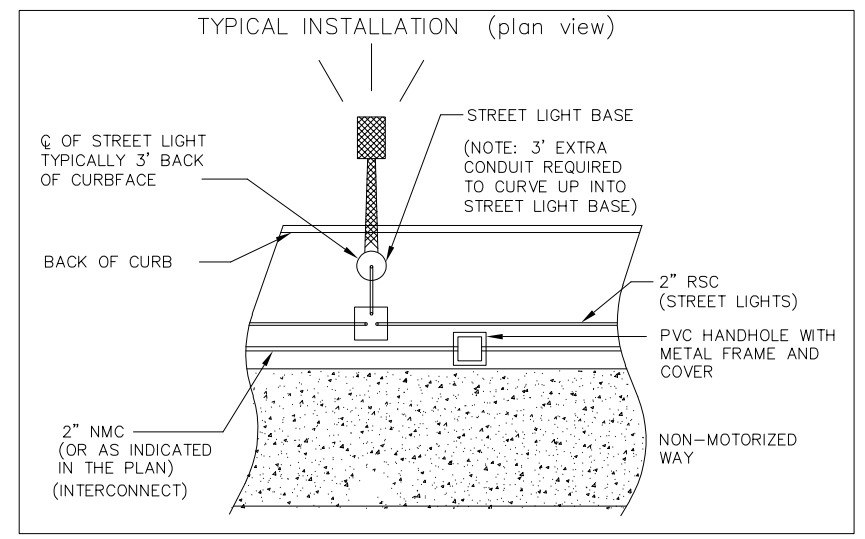
SERVICE CABINET AS SPECIFIED IN THE SPECIAL PROVISIONS, AND AS APPROVED BY THE ENGINEER. OR SEE SIGNAL PLANS FOR SERVICE CABINET

NOTES:

- POLE BASE AND HANDHOLE LOCATIONS SHALL BE AS APPROVED BY THE ENGINEER. ALL CONDUIT IN COMMON HANDHOLES SHALL CONFORM TO TYPICAL INSTALLATION DETAIL FOUND ON THIS SHEET.
- ALL CONDUITS IN ROADWAYS/DRIVEWAYS TO BE DIRECTIONALLY BORED; NO OPEN CUTS, EXCEPT ON NEW CONSTRUCTION, OR AS APPROVED BY THE ENGINEER.
- CONTRACTOR TO FURNISH AND INSTALL CONCRETE LIGHT FOUNDATION (MODIFIED DESIGN "E" MN/DOT S.P. 8127) FOR ALL 35' POLES.
- CONTRACTOR TO FURNISH AND INSTALL 250W LUMINAIRES (WITH BYPASS CAPS), LIGHT POLES AND LUMINAIRE EXTENSIONS.
- CENTER OF LIGHT POLE BASES SHALL BE 3' BEHIND BACK OF CURB.
- WIRING AND CONDUITS FOR STREET LIGHTING SHALL BE SEPARATE FROM SIGNAL WIRING AND CONDUITS, EXCEPT WHERE STREET LIGHTING IS ON TOP OF THE SIGNAL POLES. STREET LIGHTING CONDUIT AND WIRING MAY RUN PARALLEL AND IN THE SAME TRENCH AS SIGNAL CONDUIT, BUT CANNOT OCCUPY THE SAME CONDUIT OR HANDHOLES.
- CONTRACTOR SHALL FURNISH AND INSTALL PHOTOELECTRIC CONTROL AND CHECK SWITCH IN SERVICE CABINET.
- CONTRACTOR SHALL FURNISH AND INSTALL SERVICE CABINETS AS SPECIFIED IN THE SPECIAL PROVISIONS, AND WHERE LOCATED AND APPROVED BY THE ENGINEER.
- NO LIGHTING CONDUIT SHALL BE PLACED IN IRRIGATION LINES SUCH AS SPRINKLER SYSTEM LINES, ETC.
- POLE FINISH SHALL BE STANDARD DARK BRONZE OVER HOT DIP GALVANIZED.
- DO NOT GROUT BETWEEN THE BASE PLATE AND FOUNDATION. AIR MUST BE ALLOWED TO FLOW THROUGH THE POLE TO PREVENT MOISTURE INSIDE THE POLE.



LEGEND	
	ROADWAY LIGHT IDENTIFIER 35' POLE
	FURNISH & INSTALL SERVICE CABINET (SEE DETAIL & SPECIAL PROVISIONS)
	FURNISH & INSTALL STREET LIGHT CONDUIT
	FURNISH & INSTALL STREET LIGHT
	FURNISH & INSTALL HANDHOLE



POLE DESIGN 2
BLOOMINGTON STANDARD
(BREAKAWAY)

1700 W. 8TH ST.
BLOOMINGTON, MN 55401
PHONE (952) 563-8700

CITY OF BLOOMINGTON MINNESOTA

ENGINEERING DIVISION
PUBLIC WORKS DEPARTMENT

200X-XXX STREET IMPROVEMENT PROJECT

REVISIONS	
DATE	DESCRIPTION

I HEREBY CERTIFY THAT THIS PLAN WAS PREPARED BY ME OR UNDER MY DIRECT SUPERVISION AND THAT I AM A FULLY LICENSED PROFESSIONAL ENGINEER UNDER THE LAWS OF THE STATE OF MINNESOTA.

DATE: XXXX XX XX
LIC. # XXXX XXXX

DRAWN: XXX
CHECKED: XXX
APPROVED: XXX

SHEET: XX OF XXX

Drawing name: \\Cob-pw01\vol1\PW\ENGINEER\Cad_Comm\Details\Traffic\CURRENT DETAILS\SIGNAL DETAILS_ALL.dwg -- Printed: Apr 06, 2019 -- 12:36pm