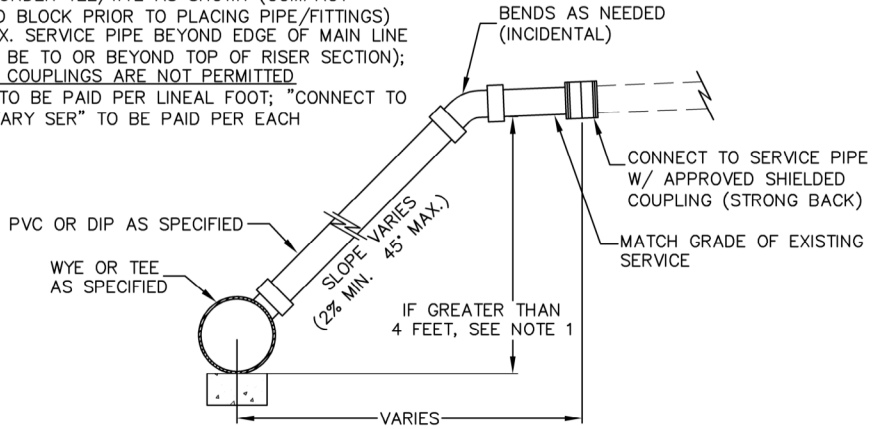


NOTES:

1. WHEN RISER HEIGHT IS 4 FEET OR GREATER USE A PRECAST SEWER BLOCK UNDER TEE/WYE AS SHOWN (COMPACT UNDER/AROUND BLOCK PRIOR TO PLACING PIPE/FITTINGS)
2. CONNECT TO EX. SERVICE PIPE BEYOND EDGE OF MAIN LINE TRENCH (MUST BE TO OR BEYOND TOP OF RISER SECTION); NON-SHIELDED COUPLINGS ARE NOT PERMITTED
3. ALL SERVICES TO BE PAID PER LINEAL FOOT; "CONNECT TO EXISTING SANITARY SER" TO BE PAID PER EACH



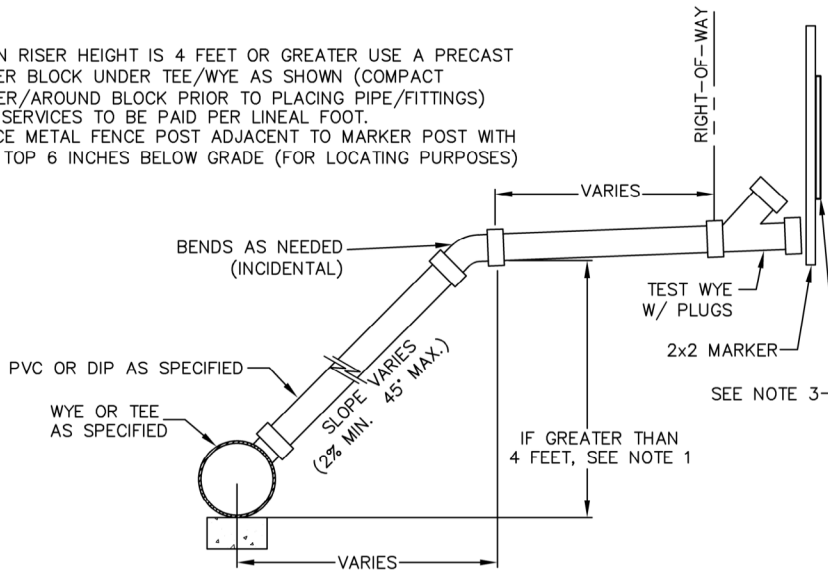
406-1 - CONNECT EX. SAN. SERVICE DETAIL

406 - Sanitary Service.dwg

2-24-20

NOTES:

1. WHEN RISER HEIGHT IS 4 FEET OR GREATER USE A PRECAST SEWER BLOCK UNDER TEE/WYE AS SHOWN (COMPACT UNDER/AROUND BLOCK PRIOR TO PLACING PIPE/FITTINGS)
2. ALL SERVICES TO BE PAID PER LINEAL FOOT.
3. PLACE METAL FENCE POST ADJACENT TO MARKER POST WITH THE TOP 6 INCHES BELOW GRADE (FOR LOCATING PURPOSES)



406-2 - NEW SAN. SERVICE DETAIL

406 - Sanitary Service.dwg

2-24-20

H:\CAD_COMN\Details Updated\400 - SAN SEWER complete\406 - Sanitary Service



1700 W 98TH ST.
BLOOMINGTON MN 55431
PHONE (952) 563-8700

**ENGINEERING DIVISION
PUBLIC WORKS DEPARTMENT**

PLATE NAME:

406 - Sanitary Service

LAST REVISED: 2/24/2020

LAST REVISED BY: KBO