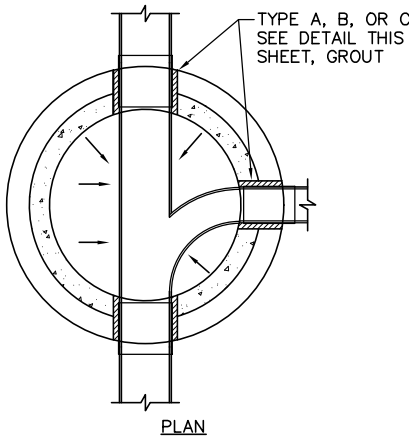


**NOTES:**

1. IF A SEWER MAIN IS CONNECTED MORE THAN 24" ABOVE THE INVERT OF THE OUTGOING SEWER, CONNECTION SHALL BE BY MEANS OF AN OUTSIDE DROP. SEE DETAIL THIS SHEET.
2. FORM GROUT TO SLOPE TO CENTER TROUGH.
3. LIFTING HOLES WHICH PENETRATE THROUGH SECTION WALLS ARE NOT PERMITTED.
4. STEPS ARE NOT PERMITTED IN MANHOLES.

**KEY NOTES:**

- 1 MN/DOT S.P.4010 2" ADJUSTING RINGS AS NEEDED [6" MIN. TO 12" MAX.]. SET EACH RING IN FULL BED OF MORTAR.
- 2 MN/DOT S.P.4010 STD. SHORT CONE SECTION.
- 3 12" TOP SECTION REQUIRED.
- 4 USE ONLY PRECAST SECTIONS. NO BRICK OR BLOCK
- 5 8" CAST IN-PLACE CONCRETE OR 6" PRECAST REINFORCED CONCRETE (64" MINIMUM OD)
- 6 CEMENT MORTAR ALL AROUND
- 7 LEAN CONCRETE TO BEAR AGAINST FIRM UNDISTURBED SOIL
- 8 PROVIDE WATER TIGHT PIPE CONNECTIONS SEE DETAIL THIS SHEET
- 9 O-RING GASKET
- 10 FOR CONNECTION TO EXISTING MH'S, CORE DRILL OPENING AND PROVIDE TYPE B WATER TIGHT CONNECTOR
- 11 6" SAND OR FOUNDATION MATERIAL
- 12 UNDISTURBED SOIL OR COMPACTED SUBGRADE



**400 - STD. SANITARY SEWER MH**  
 400 - Std San MH.dwg 6/2015

H:\Cad\_Cmn\Details Updated\0 - SAN SEWER\400 - Std San MH

**CITY OF BLOOMINGTON MINNESOTA**  
 1700 W 98TH ST.  
 BLOOMINGTON MN 55431  
 PHONE (952) 563-8700

**ENGINEERING DIVISION  
 PUBLIC WORKS DEPARTMENT**

**PLATE NAME:**

**400 - Std San MH**

LAST REVISED: 6/15/2015

LAST REVISED BY: KBO