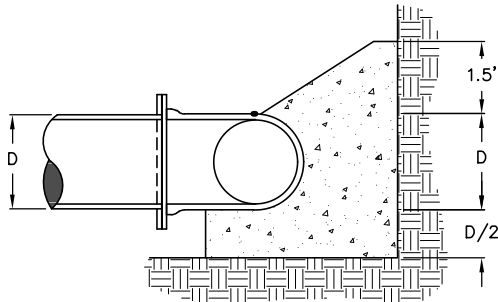


TOP VIEW

- NOTES:
 -BLOCKING TO BE POURED CONCRETE, MN/DOT MIX DESIGN 3A32.
 -FITTINGS MUST BE COVERED W/POLY (8 MIL) PRIOR TO POURING CONCRETE.



SECTION A-A

PIPE SIZE	BEARING AREA
12"	9 SQ.FT.
16"	12 SQ.FT.
20"	20 SQ.FT.
24"	27 SQ.FT.
30"	39 SQ.FT.
36"	54 SQ.FT.
42"	71 SQ.FT.
48"	90 SQ.FT.

311 - LARGE THRUST BLOCK DETAIL
 311 - Thrust Blk (Large).dwg 6/2015

H:\Cad_Comm\Details Updated\0 - 300 - WATER\311 - Thrust Blk (Large)

CITY OF BLOOMINGTON MINNESOTA
 1700 W 98TH ST.
 BLOOMINGTON MN 55431
 PHONE (952) 563-8700

**ENGINEERING DIVISION
 PUBLIC WORKS DEPARTMENT**

PLATE NAME:

311 - Thrust Blk (Large)

LAST REVISED: 6/15/2015

LAST REVISED BY: KBO