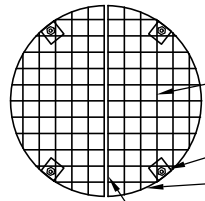


MANHOLE #	H	P
MH#1	1.4'	12"
MH#5	1.5'	12"
MH#13	1.8'	18"



OUTSIDE MANHOLE TO BAR 1" CLEAR TYP.

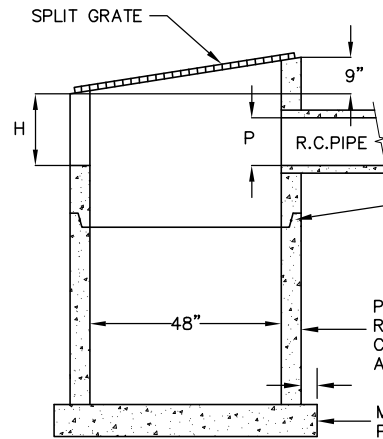
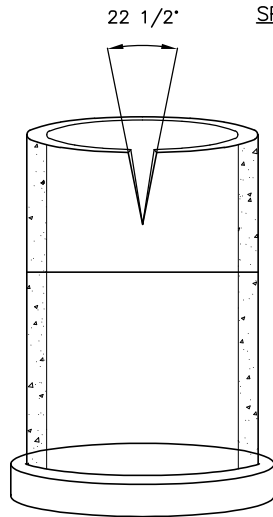
#5 GALVANIZED BAR @ 4" O.C. EACH WAY

1/4" x 4" x 4" GALVANIZED CLIPS  
1/2" SS ANCHOR BOLTS

1/4" x 1 1/2" GALVANIZED FLAT BAR RING

1/4" x 1 1/2" GALVANIZED BAR

SPLIT GRATE DETAIL



O-RING GASKET OR BITUMASTIC MATERIAL AT EACH BUTTED JOINT SURFACE.

PRECAST REINFORCED CONCRETE SECTIONS AS NEEDED.

4"  
MN/DOT S.P.4011E PRE-CAST BASE PLACED ON 3" CAST IN PLACE CONCRETE OR 8" POURED CONCRETE BASE ON UNDISTURBED EARTH.

213 - STD MH (V-NOTCH)  
213 - STD MH (V-NOTCH).DWG 6/2016

H:\Cad\_Cmn\Details Updated\0 - 200 - STORM complete\213 - Std MH (V-Notch)

CITY OF BLOOMINGTON MINNESOTA  
1700 W 98TH ST.  
BLOOMINGTON MN 55431  
PHONE (952) 563-8700

ENGINEERING DIVISION  
PUBLIC WORKS DEPARTMENT

PLATE NAME:

213 - Std MH (V-Notch)

LAST REVISED: 9/14/2016

LAST REVISED BY: KBO