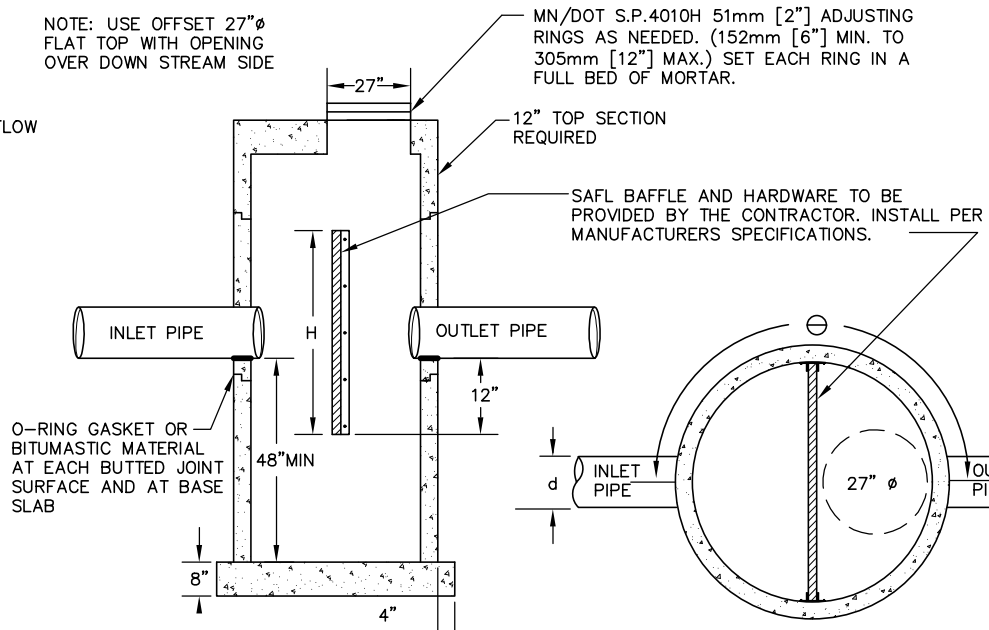


d (IN.)	H (IN.)	⊖ (DEG.)	
		MIN.	MAX.
12	34	130	230
15	34	130	230
18	34	130	230
21	44	140	220
24	44	140	220
27	44	140	220
30	54	150	210
36	54	150	210

NOTE: USE OFFSET 27"  $\phi$  FLAT TOP WITH OPENING OVER DOWN STREAM SIDE



**211 - SUMP MH SAFFLE BAFFLE**  
211 - SUMP MH SAFFLE BAFFLE.DWG 9/2016

H:\Cad\_Comm\Details Updated\0 - 200 - STORM complete\211 - Sump MH Saffle Baffle



**ENGINEERING DIVISION**  
**PUBLIC WORKS DEPARTMENT**

PLATE NAME:

**211 - Sump MH Saffle Baffle**

LAST REVISED: 9/22/2016

LAST REVISED BY: KBO