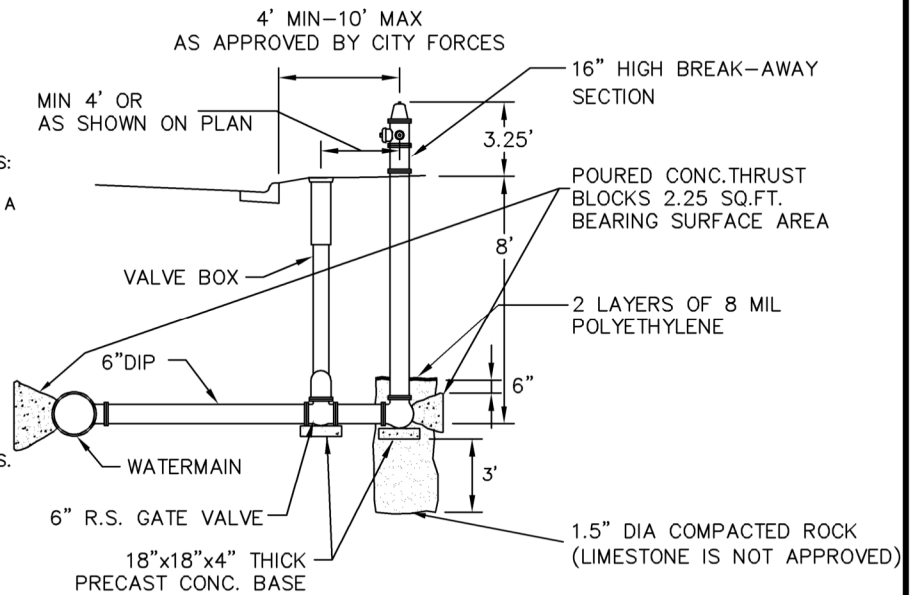


- HYDRANT TO BE:
  - WATEROUS PACER CLASSIC.
  - OR APPROVED EQUAL.
- EQUIP WITH THREE HOSE NOZZLES/CONNECTIONS AS FOLLOWS:
  - ONE – FACTORY INSTALLED 5 INCH STORZ-TYPE, QUARTER TURN PUMPER NOZZLE/CONNECTOR, INCLUDING A MANUFACTURER SUPPLIED AND INSTALLED ANODIZED ALUMINUM NOZZLE CAP WITH A 1.5 INCH PENTAGON NUT AND NO ROCKER LUG.
  - TWO – 2.5 INCH HOSE NOZZLES/CONNECTIONS (WITH NATIONAL STANDARD THREADS) AND STANDARD NOZZLE CAPS WITH 1.5 INCH PENTAGON NUTS, AND NO ROCKER LUGS.
- USE SS NUTS AND BOLTS AS APPROVED BY THE ENGINEER.
- ALL EXPOSED WATERMAIN SHALL BE WRAPPED WITH POLYETHYLENE IN ACCORDANCE WITH AWWA C-105.
- BARREL TO BE BRIGHT RED.
- ALL VALVES TO OPEN COUNTER-CLOCKWISE.
- SEE TYPICAL VALVE INSTALLATION DETAIL FOR VALVE DETAILS.
- ALL HYDRANTS SHALL BE INSTALLED TO WITHIN 2" OF MANUFACTURE GROUND LINE GROOVE MARKED ON LOWER HYDRANT BARREL.



**300 – TYPICAL HYDRANT INSTALLATION**

300 – Hyd Install.dwg

1/2026

H:\CAD\_COMN\Details Updated\300 – WATER\300 – Hyd Install



**ENGINEERING DIVISION  
PUBLIC WORKS DEPARTMENT**

PLATE NAME:

**300 – Hyd Install**

LAST REVISED: 1/15/2026

LAST REVISED BY: JTR