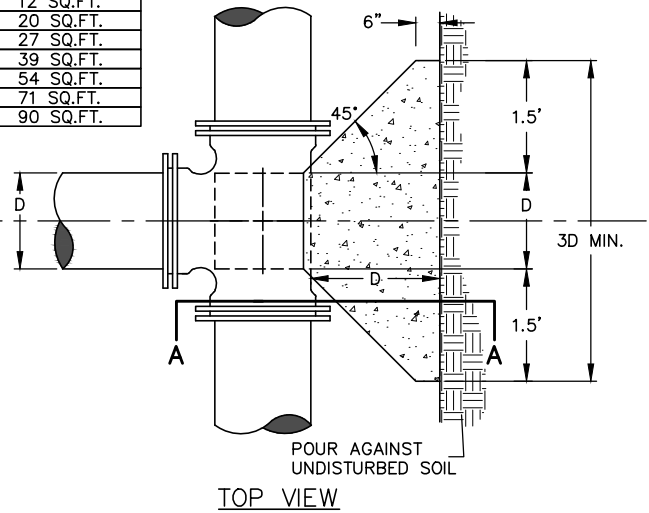
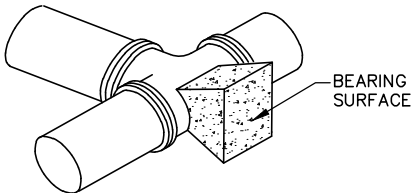


PIPE SIZE	BEARING AREA
12"	9 SQ.FT.
16"	12 SQ.FT.
20"	20 SQ.FT.
24"	27 SQ.FT.
30"	39 SQ.FT.
36"	54 SQ.FT.
42"	71 SQ.FT.
48"	90 SQ.FT.



NOTES:

- THRUST BLOCKS TO BE USED FOR BENDS 22-1/2° AND OVER, INCLUDING HYDRANTS AND HYDRANT TEES.
- THRUST BLOCKS ARE REQUIRED REGARDLESS OF ANY OTHER RESTRAINT METHODS USED ON WATERMAIN LESS THAN 12" DIA.
- RESTRAINT METHODS ON WATERMAIN LARGER THAN 12" SHALL BE MEGALUGS, LOCKING GASKETS OR OTHER APPROVED EQUAL. THE LENGTH OF RESTRAINT SHALL BE AS COMPUTED BY DIPRA.
- FITTINGS MUST BE COVERED W/POLY (8 MIL) PRIOR TO POURING CONCRETE.
- FOR PIPE 12" AND LARGER, BLOCKING TO BE POURED CONCRETE, MN/DOT MIX DESIGN 3G52. FOR PIPE LESS THAN 12", 4000LB HAND-MIXED IS ACCEPTABLE.
- FOR 6"-8" PIPE, THE USE OF COMPOSITE BLOCKING WILL ONLY BE PERMISSIBLE WITH AUTHORIZATION FROM THE ENGINEER
- ALL BLOCKING SHALL BE PLACED AGAINST UNDISTURBED/COMPACTED EARTH



PIPE SIZE	BEARING AREA
6"	2.25 SF
8"	4 SF

STANDARD THRUST BLOCK (6"-8" PIPE)

310 - THRUST BLOCKING  
310 - Thrust Blk (Std).dwg 6/2015

H:\CAD\_COMN\Details Updated\300 - WATER\310 - Thrust Blocking



1700 W 98TH ST.  
BLOOMINGTON MN 55431  
PHONE (952) 563-8700

ENGINEERING DIVISION  
PUBLIC WORKS DEPARTMENT

PLATE NAME:

310 - Thrust Blocking

LAST REVISED: 3/1/2023

LAST REVISED BY: KBO