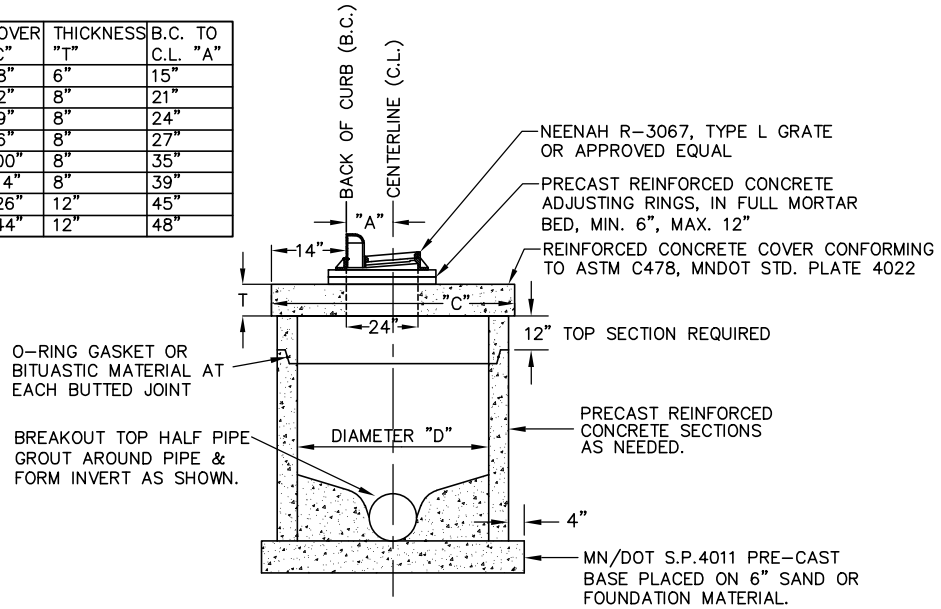


DIA. "D"	COVER "C"	THICKNESS "T"	B.C. TO C.L. "A"
48"	58"	6"	15"
60"	72"	8"	21"
66"	79"	8"	24"
72"	86"	8"	27"
84"	100"	8"	35"
96"	114"	8"	39"
108"	126"	12"	45"
120"	144"	12"	48"



201 - STANDARD MANHOLE w/ 2x3' CASTING  
 201 - STD MH (2X3 COV).DWG 9/2016

H:\Cad\_Cmn\Details Updated\0 - 200 - STORM complete\201 - Std MH (2x3 Cov)

**CITY OF BLOOMINGTON MINNESOTA**  
 1700 W 98TH ST.  
 BLOOMINGTON MN 55431  
 PHONE (952) 563-8700

**ENGINEERING DIVISION  
 PUBLIC WORKS DEPARTMENT**

PLATE NAME:

**201 - Std MH (2x3 Cov)**

LAST REVISED: 9/13/2016

LAST REVISED BY: KBO