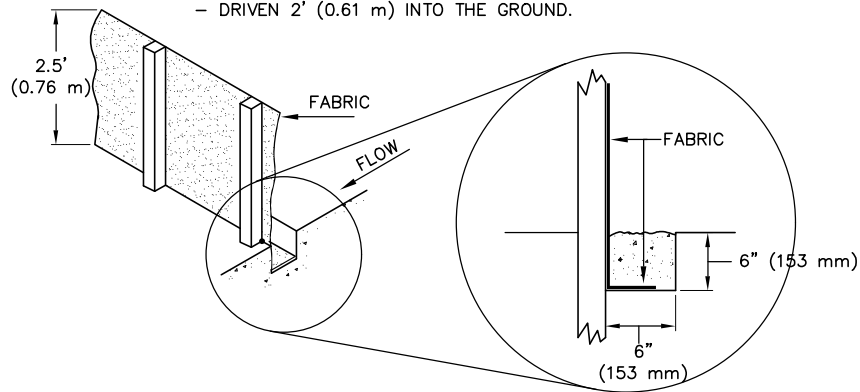


NOTES:

- PLACE BOTTOM EDGE OF FENCE INTO 6" (153 mm) DEEP TRENCH AND BACKFILLED IMMEDIATELY.
- POSTS SHALL BE:
 - 4' (1.22 m) ON CENTER
 - 2" (50.8 mm) X 2" (50.8 mm) HARDWOOD, PINE OR STEEL FENCE POSTS. MINIMUM LENGTH 4.5'
 - DRIVEN 2' (0.61 m) INTO THE GROUND.



609 - EROSION CONTROL FENCE

609 - Silt Fen (STANDARD).dwg 5/2015

H:\Cad_Cmn\Details Updated\0 - EROSION\609 - Silt Fen (STANDARD)



**ENGINEERING DIVISION
PUBLIC WORKS DEPARTMENT**

PLATE NAME:

609 - Silt Fen (STANDARD)

LAST REVISED: 5/15/2015

LAST REVISED BY: KBO