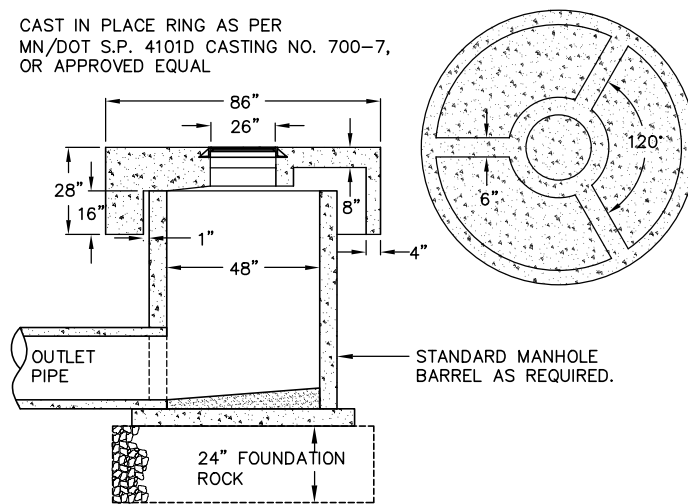


CAST IN PLACE RING AS PER
MN/DOT S.P. 4101D CASTING NO. 700-7,
OR APPROVED EQUAL



210 - MH SKIMMER
210 - MH SKIMMER.DWG 6/2016

H:\Cad_Comm\Details Updated\0 - 200 - STORM complete\210 - MH Skimmer

CITY OF BLOOMINGTON MINNESOTA
1700 W 98TH ST.
BLOOMINGTON MN 55431
PHONE (952) 563-8700

**ENGINEERING DIVISION
PUBLIC WORKS DEPARTMENT**

PLATE NAME:

210 - MH Skimmer

LAST REVISED: 9/14/2016

LAST REVISED BY: KBO