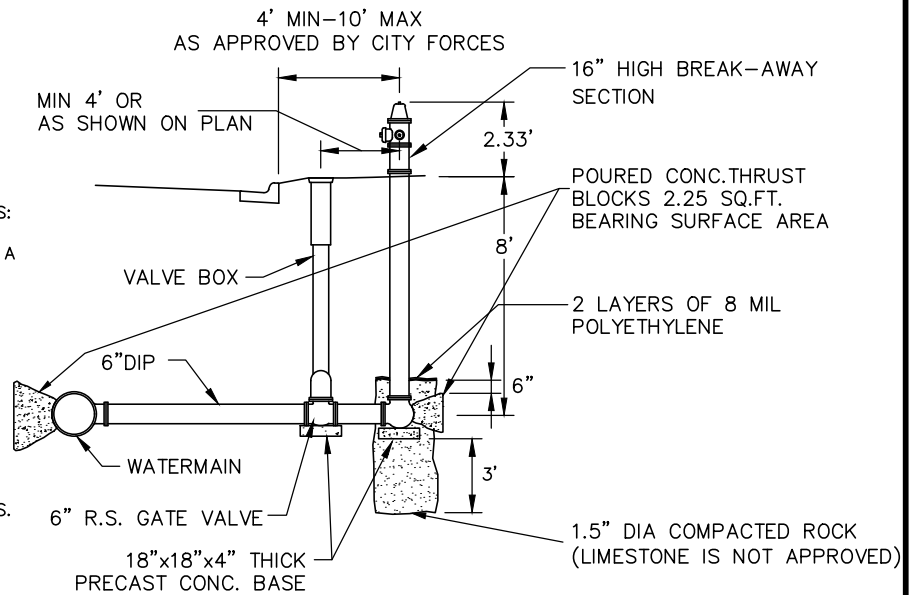


- HYDRANT TO BE:
 - WATEROUS PACER CLASSIC.
 - MUELLER CENTURION MODEL A-403
 - MUELLER SUPERCENTURION 250 MODEL A-423.
 - OR APPROVED EQUAL.
- EQUIP WITH THREE HOSE NOZZLES/CONNECTIONS AS FOLLOWS:
 - ONE - FACTORY INSTALLED 5 INCH STORZ-TYPE, QUARTER TURN PUMPER NOZZLE/CONNECTOR, INCLUDING A MANUFACTURER SUPPLIED AND INSTALLED ANODIZED ALUMINUM NOZZLE CAP WITH A 1.5 INCH PENTAGON NUT AND NO ROCKER LUG.
 - TWO - 2.5 INCH HOSE NOZZLES/CONNECTIONS (WITH NATIONAL STANDARD THREADS) AND STANDARD NOZZLE CAPS WITH 1.5 INCH PENTAGON NUTS, AND NO ROCKER LUGS.
- USE SS NUTS AND BOLTS AS APPROVED BY THE ENGINEER.
- ALL EXPOSED WATERMAIN SHALL BE WRAPPED WITH POLYETHYLENE IN ACCORDANCE WITH AWWA C-105.
- BARREL TO BE BRIGHT RED.
- ALL VALVES TO OPEN COUNTER-CLOCKWISE.
- SEE TYPICAL VALVE INSTALLATION DETAIL FOR VALVE DETAILS.



300 - TYPICAL HYDRANT INSTALLATION

300 - Hyd Install.dwg

6/2015

H:\CAD_COMN\Details Updated\300 - WATER\300 - Hyd Install



1700 W 98TH ST.
BLOOMINGTON MN 55431
PHONE (952) 563-8700

PLATE NAME:

300 - Hyd Install

**ENGINEERING DIVISION
PUBLIC WORKS DEPARTMENT**

LAST REVISED: 2/24/2023

LAST REVISED BY: KBO