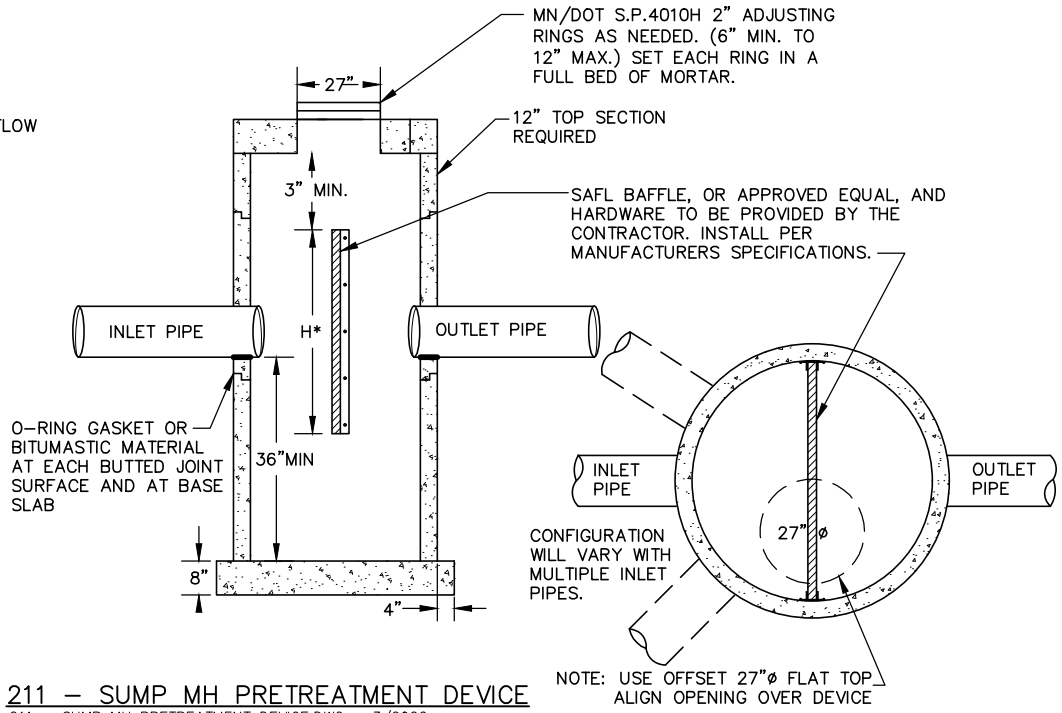


\*SEE STORM SEWER PLANS AND SPECIAL PROVISIONS FOR PANEL HEIGHT



**211 - SUMP MH PRETREATMENT DEVICE**  
211 - SUMP MH PRETREATMENT DEVICE.DWG 3/2022

H:\CAD\_COMN\Details Updated\200 - STORM\211 - Sump MH Pretreatment Device



**ENGINEERING DIVISION**  
**PUBLIC WORKS DEPARTMENT**

PLATE NAME:

**211 - Sump MH Pretreatment Device**

LAST REVISED: 3/9/2022

LAST REVISED BY: KBO